

# GP Batteries

## PRODUCT SPECIFICATION

**GP Wireless Charger  
Model : QP0A**

### Revision History

Revision	Date	Initiator	Reason for Change
0.0			Draft Release

Prepared By	Approved By
Date: 07 Aug 2019	Date:

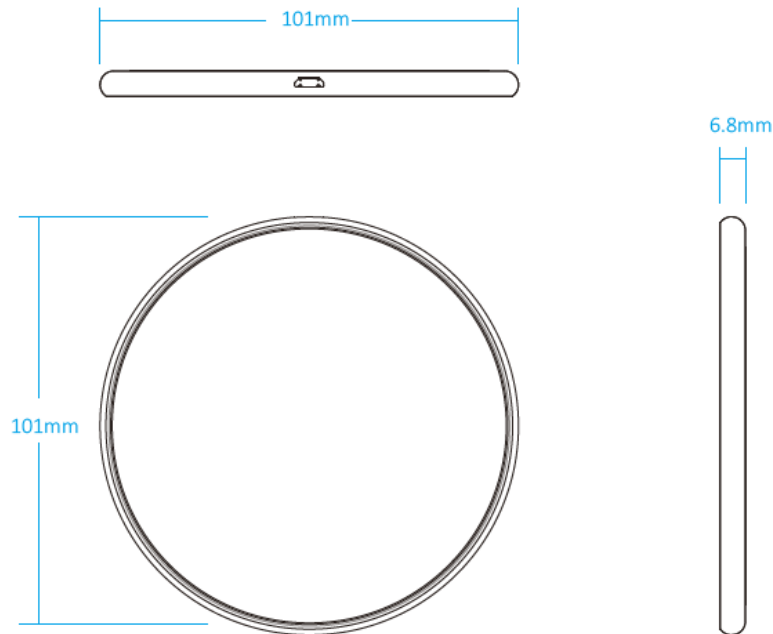
### **GPI International Limited**

7/F, Building 16W, 16 Science Park West Avenue,  
Hong Kong Science Park, New Territories, Hong Kong  
Tel: (852) 2484 3333 Fax: (852) 24805912  
Email: [gpii@goldpeak.com](mailto:gpii@goldpeak.com)  
Website: <http://www.gpbatteries.com>

# GP Batteries

## Product Specification

Model no.: QP0A



Product Name	: GP Wireless Charger QP0A
Description	: Wireless charger for Qi-enabled devices
Application	: Charge electronic device via wireless charging output
Input voltage & current	: 5V/2A, 9V/1.67A
Number of coil	: Single
Output voltage & current	: 5V/1A, 9V/1.1A
Wireless output power	: 10W Max.
Operation Temperature	: 0°C to 30°C
Storage Temperature	: -20°C to 70°C (for 6 Hours)

# GP Batteries

---

## Product Specification

Model no.: QP0A

---

Safety protection : 1) Over current protection  
2) Short Circuit protection  
3) Foreign body detection  
4) Over temperature protection  
5) Over voltage protection

LED Indication : **Charging Status of the Charger**

Table 1

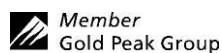
Charging Condition	LED Indicator (Red & Green)
Standby	Green Flashes Once
Charging	Green Slow Flashing
Fully charged	Green LED On
Abnormal condition	Red LED On

Dimensions : 101 (φ) x 6.8 (H) mm +/-0.5mm

Weight : 58 g +/- 5g

Certification : CE, RoHS, & Qi

Warranty Period : 12 months from ex-factory date



Manufacturer reserves the right to alter or amend the design, model and specification without prior notice.